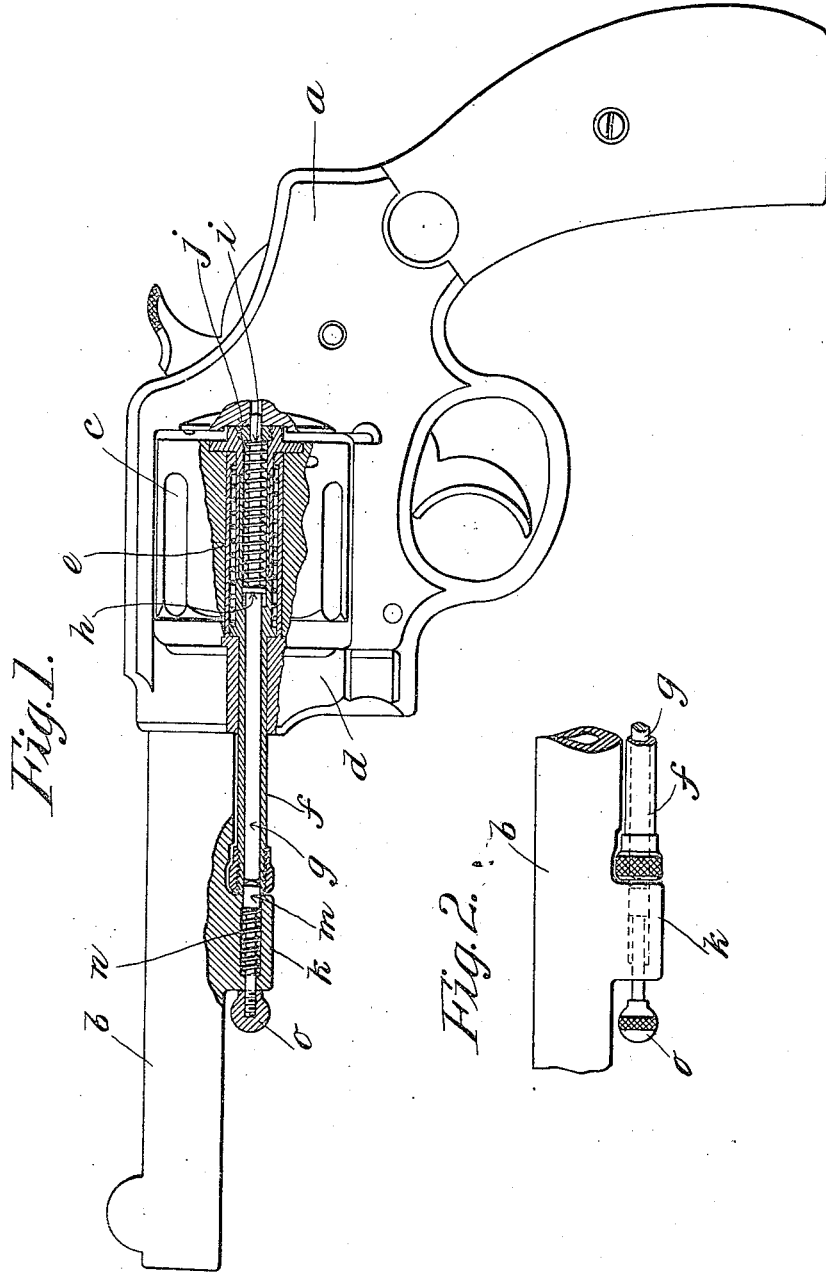


No. 743,784.

PATENTED NOV. 10, 1903.

J. H. WESSON.
REVOLVING FIREARM.
APPLICATION FILED MAR. 27, 1903.

NO MODEL.



Witnesses:
J. D. Guilford
M. E. Lissner

Inventor
Joseph H. Wesson
by *Chapman & Co.*
Attorneys.

UNITED STATES PATENT OFFICE.

JOSEPH H. WESSON, OF SPRINGFIELD, MASSACHUSETTS.

REVOLVING FIREARM.

SPECIFICATION forming part of Letters Patent No. 743,784, dated November 10, 1903.

Application filed March 27, 1903. Serial No. 149,899. (No model.)

To all whom it may concern:

Be it known that I, JOSEPH H. WESSON, a citizen of the United States of America, residing at Springfield, in the county of Hampden and State of Massachusetts, have invented new and useful Improvements in Revolvers, of which the following is a specification.

This invention relates to improvements in revolvers, and the object thereof is to provide improved means for securing the cylinder in firing position in the frame in such manner that the chambers of the cylinder when in this position will register accurately with the barrel.

The invention relates particularly to what are known as "solid-frame" revolvers, in which the cylinders swing out to one side for loading and for the ejection of the shells; and the invention consists in certain novel means for locking one end of the cylinder to the recoil-plate in a well-known manner and simultaneously effecting the interlocking of the ejector-stem to the under side of the barrel, whereby more accurate alinement of the cylinder with the barrel may be attained, and it is in the nature of an improvement on the construction shown in United States Letters Patent issued to Daniel B. Wesson on December 17, 1901, numbered 689,260, in which patent there is associated with the locking devices a thumb-actuated member located on the side of the frame back of the recoil-plate, whereby said locking devices are operated. In this invention the construction has been so simplified as to do away with this thumb-actuated member.

Referring to the drawings forming part of this application, Figure 1 illustrates a side elevation of a revolver with certain parts thereof broken away, showing the application of this invention thereto. Fig. 2 is a side elevation of a part of the barrel and a portion of the ejector-stem and locking means for the latter.

Referring to the drawings, the frame of the arm is indicated by *a*, the barrel by *b*, and the cylinder by *c*. The latter is mounted on a yoke *d*, which is pivotally supported in the frame under the cylinder in the well-known manner and one which is common to most solid-frame revolvers, the portion of the yoke on which the cylinder turns being indicated

by *e*. This is clearly shown in section in Fig. 1.

The ejector-stem, which is indicated by *f*, is tubular, and there is located axially therein a locking-pin *g*, which is of a length equal to the length of the ejector-stem. The latter is spring-held in that member of the cylinder-yoke on which it is mounted in the usual manner.

The locking-pin *g* is provided with a collar *h*, whereby a shoulder is formed for one end of a spiral spring *i*, whose opposite end bears against a bushing *j*, which is screwed into the end of the extractor, all as shown in Fig. 1. The action of the spring *i* normally will hold the collar *h* to a seat in the bottom of the perforation in the extractor-stem which receives this pin.

Located under the barrel is a boss *k*, having a perforation therethrough in line with the pin *g*. In this boss there is mounted a short bolt *m*, provided with a spring *n*, which tends to force the bolt against the end of the pin *g*. One end of the bolt extends through the forward end of the boss *k*, and a knob or button *o* is secured thereon, whereby the bolt may be operated and its movement limited. Thus normally the bolt *m* is by its spring forced outwardly of the boss *k* toward the cylinder, and thus will enter the end of the extractor-stem and displacing the locking-pin *g* force the latter rearwardly and into a hole in the recoil-plate adapted to receive it, the bolt entering the forward end of the stem *f*, thus locking it to the barrel.

To release the cylinder, the knob *o* is grasped and the bolt *m* withdrawn from the end of the extractor-stem, whereupon the spring *i* will force the pin *g* toward the muzzle of the arm, thus releasing the rear end of the cylinder, whereupon the latter may be swung out of the frame.

The herein-described construction thus provides for locking the cylinder in a manner quite as effective as in the said Letters Patent above referred to; but the construction as a whole is very much cheaper than that described in said patent.

Having thus described my invention, what I claim, and desire to secure by Letters Patent of the United States, is—

1. In a revolver, in combination, a side-

2
728,732
swinging cylinder, an extractor-stem extending therethrough, a longitudinally-movable pin in the latter to engage with the frame at the rear end of the cylinder; a bolt on the
5 barrel in axial alinement with said pin, and means of engagement between said bolt and the end of the extractor-stem; a spring on said bolt to move the latter toward said pin and to force the latter into engagement with
10 the frame, and a spring on the pin to retract the latter when the bolt is retracted.

2. In a revolver, in combination, a side-swinging cylinder, an extractor-stem extending therethrough, a longitudinally-movable
15 pin in the latter to engage with the frame at

the rear end of the cylinder; a boss on the under side of the barrel, a bolt located therein in axial alinement with said pin, and means of engagement between said bolt and the end of the extractor-stem, one end of
20 said bolt extending through said boss toward the muzzle of the barrel; a spring on said bolt to move the latter toward said pin and to move the latter into locking engagement with
25 the frame, and a spring on the pin to retract the latter when the bolt is retracted.

JOSEPH H. WESSON.

Witnesses:

WM. H. CHAPIN,
K. I. CLEMONS.